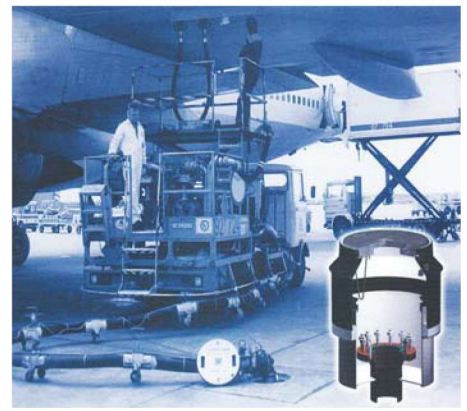


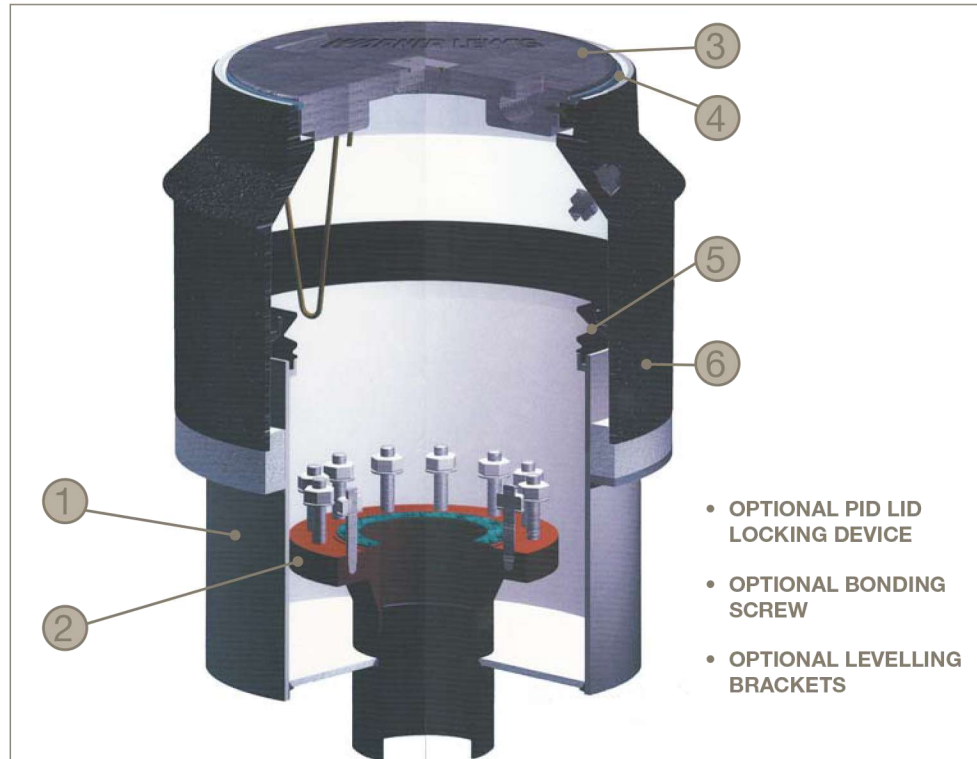
WL 5917

Warner Lewis Environmental Hydrant Pit Box



The Warner Lewis model WL 5917 is an environmental-friendly 18" hydrant pit box suitable for IP hydrant pit valves. It is designed to ensure non leakage of fuel into the ground, whilst allowing a vast amount of movement to both a horizontal and vertical direction. The spheroidal graphite cast iron outhousing, is internally epoxy painted. 6" ANSI 300lb rise flange is complete with studs, nuts and washers. Sealing bellows are between the boxes - 25 mm in the horizontal plane - 50mm vertically. Inner box internally is coated with white epoxy in accordance with MIL-C-4556-E. There is no metallic contact between the outer and inner box.

NDT examination is carried out on all welds, dye penetrant or x-ray where appropriate. 18" diameter pit lid of aluminium alloy designed to withstand aircraft tyre load. Non-slip surface. Nitrile Buna "N" cover seal. Underside of lid shaped to provide ground clearance to prevent damage to integral polyamide retaining cable. The cable is secured to the lid with a swivel joint to prevent twisting and kinking. Optional internal fixing for earth strap.



Solid and rugged design based on finite-element methods

Product Features:

- 1. LOWER HOUSING**
Welded carbon steel design, with vertical pipe inlet and riser flange 6" ANSI 300lb. The bottom plate is welded in with a slope for easy cleaning.
- 2. 6" 300lb ANSI FLANGE**
Made of carbon steel, epoxy coated in acc. With MIL-C-4556-E. with stud bolts, hex nuts and washers, made of yellow anodized carbon steel.
- 3. LIGHT WEIGHT ALUMINIUM COVER**
Light weight pit lid, made of aluminium alloy, designed to withstand aircraft tyre loads, with retaining cable, secured with swivel fitting to prevent twisting and kinking qualified to EN124:F900.
- 4. COVER SEAL**
Fuel resistant pit lid seal.
- 5. HOUSING BELLOWS SEAL**
Allows movement between 25mm horizontal and 50mm vertical. The sealing is fixed in a groove in both the upper and the lower housing – there is no metallic contact between upper and lower housing, therefore the lower housing can be included in a cathodic protection system.
- 6. UPPER HOUSING**
Made of spheroidal graphite cast iron, internally white epoxy coated in acc. With MIL-c-4556-E, externally coated with black coal tar epoxy.

Component	WL 5917	WL 6567
Opening mm (in)	457 (18)	457 (18)
Pit Lid	2 hand lift (19kg) tethered to pit box	2 hand lift (19kg) tethered to pit box
Style	2 piece environmental	2 piece environmental
Pit box	Steel	Steel
Materials		
Pit Lid	Cast aluminium qualified to EN124:F900	Cast aluminium qualified to EN124:F900
Pit body (lower housing)	Welded carbon steel design	Welded carbon steel design
Pit body (upper housing)	Spheroidal graphite cast iron	Spheroidal graphite cast iron
Riser pipe	ASTM API 5L Grade B Sch 40	ASTM API 5L Grade B sch 40
Rise flange	6" 300lb Ansi	6" 300lb Ansi
Seals	Aviation fuel resistant Nitrile	Aviation fuel resistant Nitrile
Protective Coatings		
Inner box	White epoxy in accordance with MIL-C-4556-E	White epoxy in accordance with MIL-C-4556-E
Outer box	Black coal tar epoxy	Black coal tar epoxy
Riser pipe	Internal epoxy paint	Internal epoxy paint
Testing		
Pit box	All welds NDT with dye penetrate or x-ray where appropriate	All welds NDT with dye penetrate or x-ray where appropriate
Pit lid	Qualified to EN124:F900	Qualified to EN124:F900

References

Some references of installed Warner Lewis Hydrant Pit Boxes at major International Airports.

Warner Lewis Limited
5th Floor, GOT Building
9/197, Ratchadaphisek 29
Chatuchak, Bangkok
Thailand 10900
Rob@warnerlewis.co.uk
+66 92 8219635

Johannesburg	South America
Frankfurt Rhein/Main	Germany
Munich II	Germany
London, Heathrow	Great Britain
London, Gatwick	Great Britain
Manchester	Great Britain
Vienna	Austria
Rome, Fiumichino	Italy
Milan, Malpensa	Italy
Copenhagen	Denmark
Dubai, International	U.A.E.
Sharjah	U.A.E.
Bahrain	Bahran
Warsaw	Poland
Kuwait	Kuwait
Nairobi	Kenya
Mombasa	Kenya
Lagos	Nigeria
Congo, Brazzaville	Congo
Cairo	Egypt
Luxor	Egypt
Sanderstroemfjord	Greeland
Changi	Singapore
Lamentin Martinique	Caribbean
Batam, Island Hang Nadim Airport	Indonesia
Macao	Macao
Hurghada	Egypt
Madrid, Barrajas	Spain
Barcelona	Spain
Tel Aviv, Ben Gurion	Israel
Stockholm, Arlanda	Sweden